

Part number: TYWH15000

Rated line pull: 15000 lbs, (6795 kg) single-line

Motor: hydraulic 80 ml/r

Remote Control: Remote Switch

Wireless Remote Control: optional

Gear Ratio: 36:1

Clutch: Free spool clutch

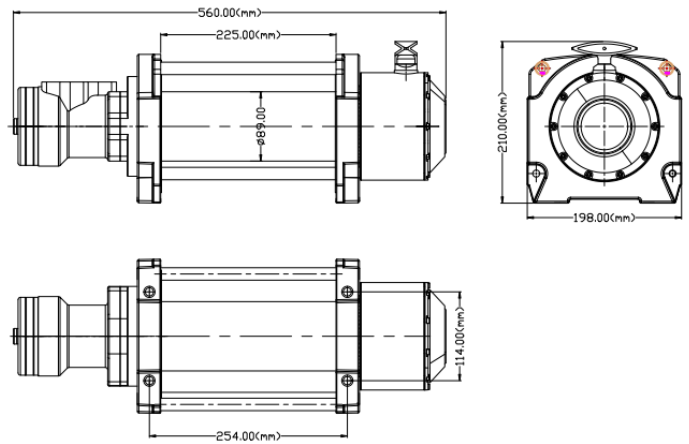
Drum Diameter/Length: 89 mm/222mm

Wire Rope: 12 mmx26,5 m

Fairlead: Roller

Mounting Bolt Pattern: 10" x 4.5" (254 mm x 114.3)

Winch Dimensions (L x W x H): 560 x 198 x 210 mm



PERFORMANCE SPECIFICS (First layer of drum)

LINE PULL Lb (Kg)	LINE SPEED FT/min (M/min)	PRESSURE Mpa (Psi)	FLOW G/min (L/min)
0	1.6 (0.5)	2.0 (290.1)	1.3 (5.0)
5000 (2268)	3.3 (1.0)	4.3 (623,7)	2.6 (10.0)
10000 (4536)	6.6 (2.0)	8.7 (1261,8)	5.3 (20.0)
12000 (5443)	9.8 (3.0)	10.00 (1450,3)	7.9 (30.0)
15000 (6804)	19.7 (6.0)	13.0 (1885,4)	15.9 (60.0)